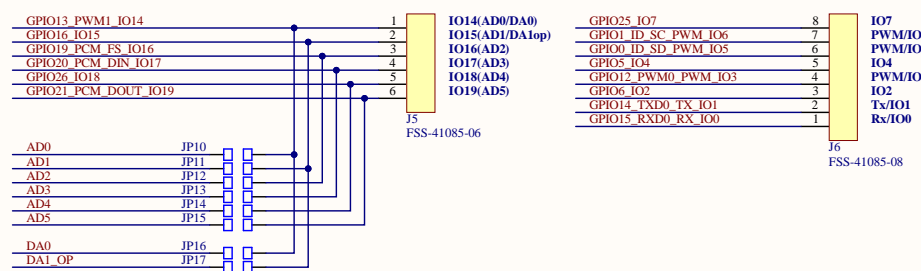
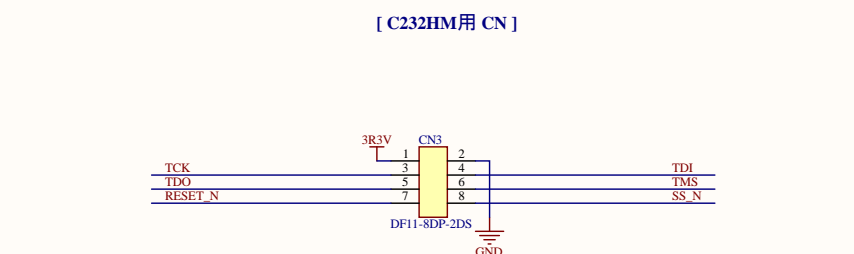
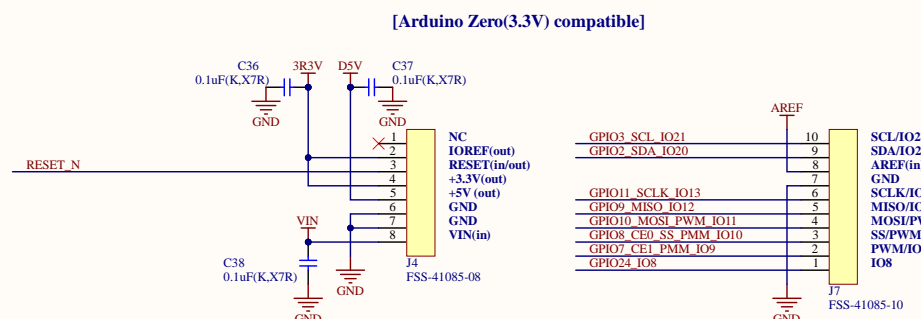
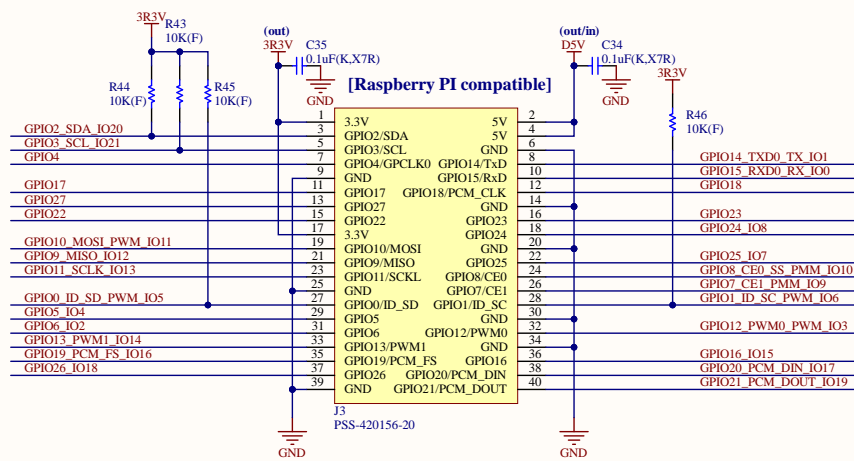
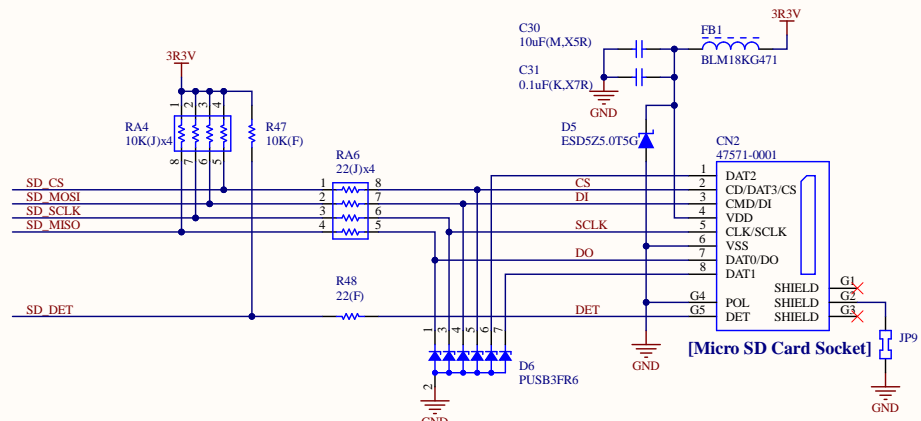
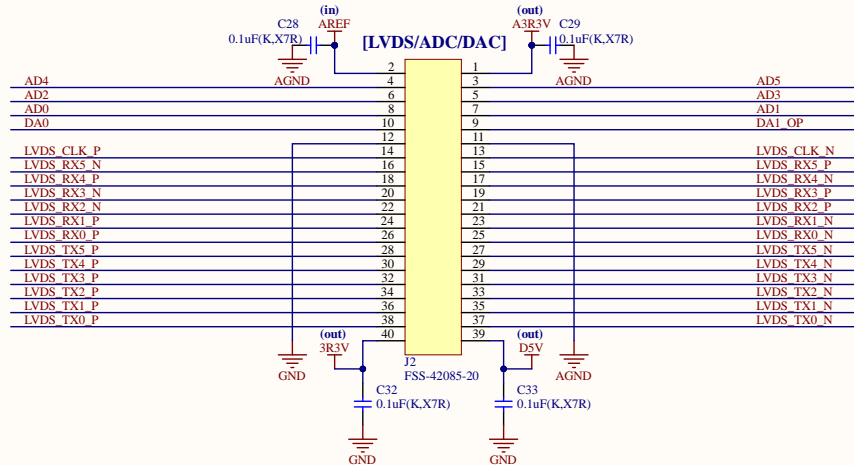
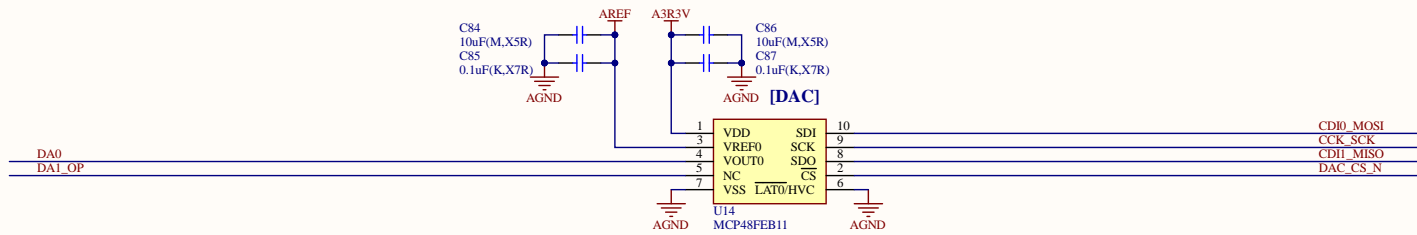
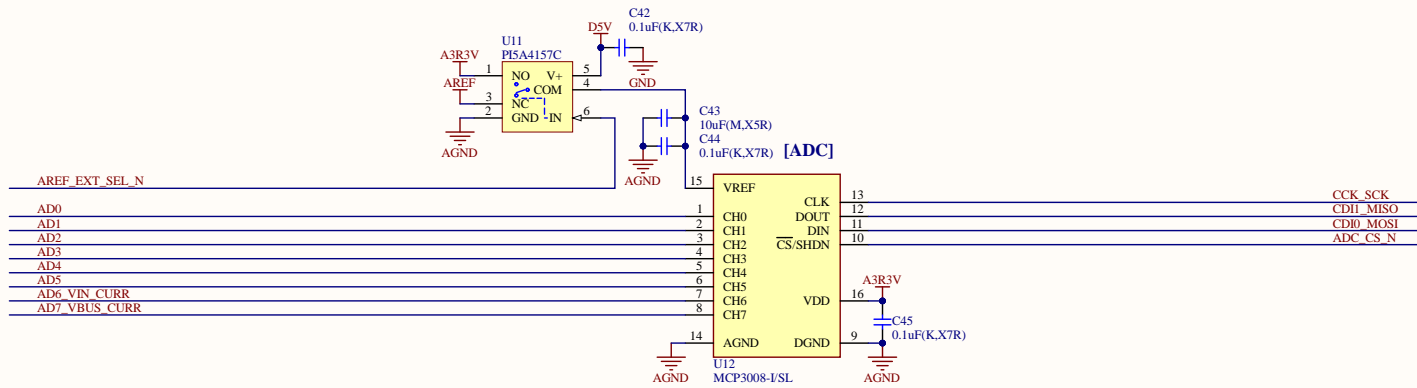
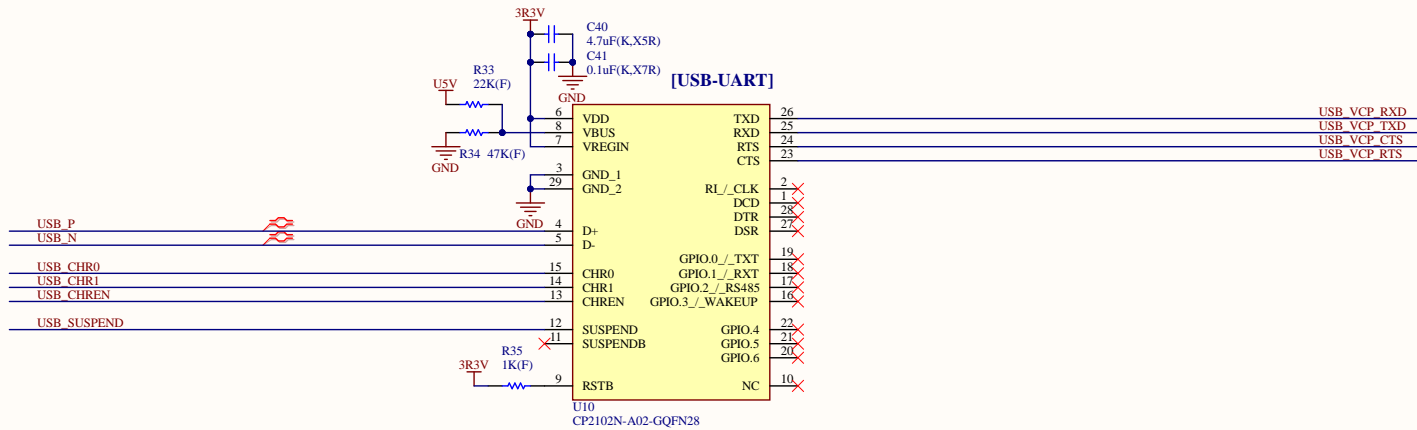
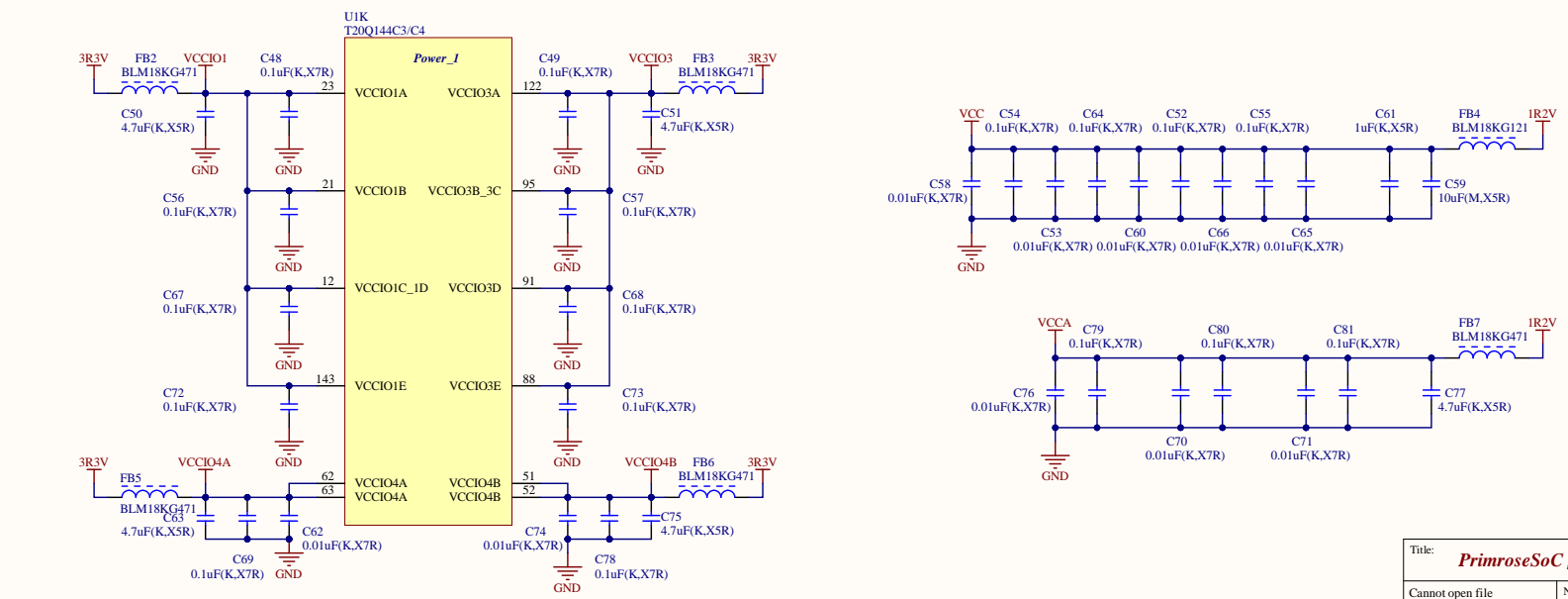
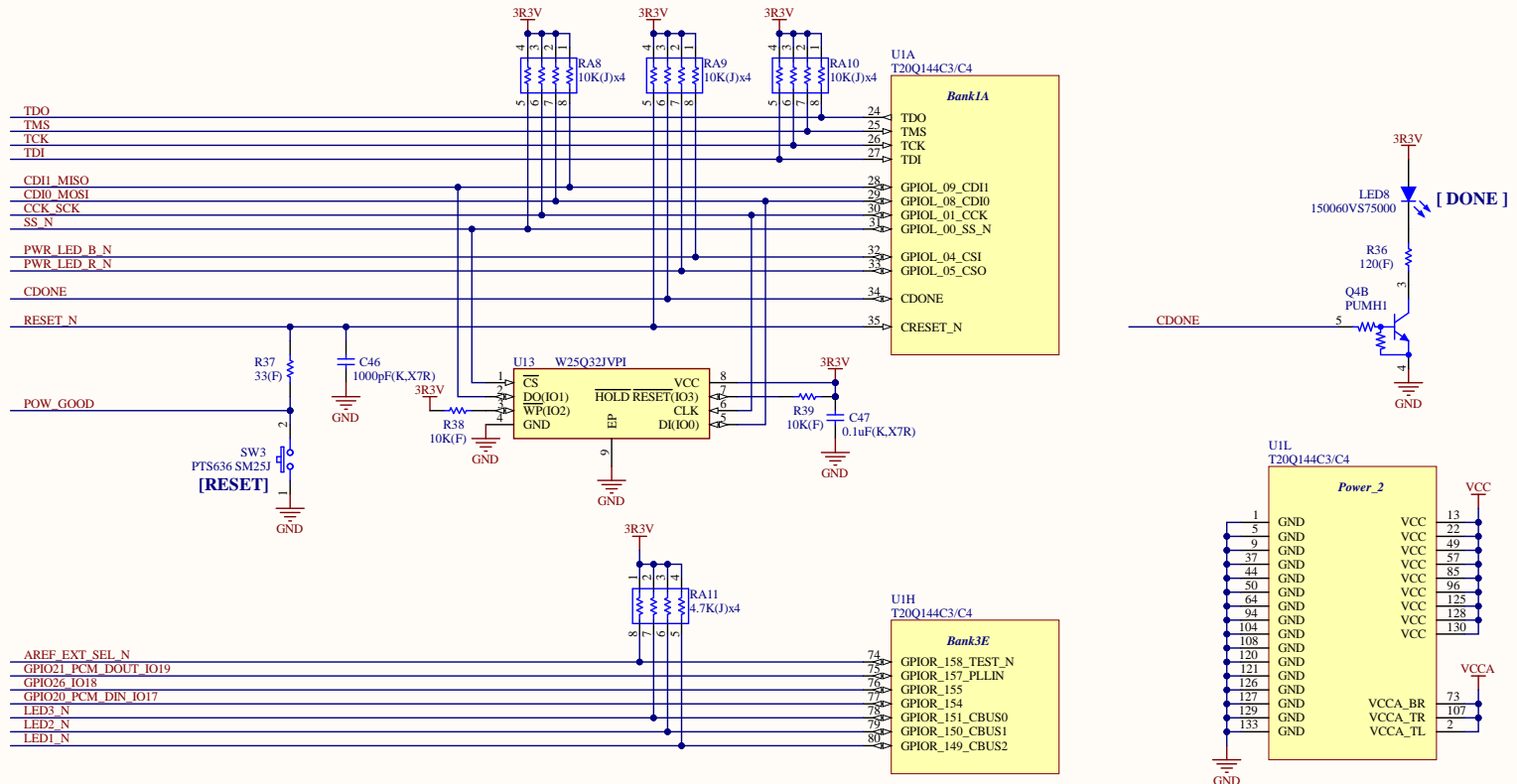


| | | |
|--|---------------|-------------|
| Title: PrimroseSoC [Switch LED circuit] | | Size: A3 |
| Cannot open file D:\Nextcloud\RIGHTxLIG\HT\develop\hardware\Altium\... | Number: | Revision: A |
| Date: 2023/05/23 | Sheet: 2 of 6 | |

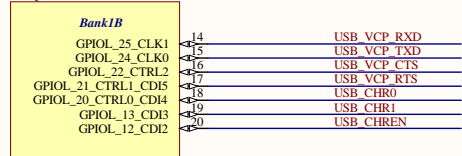




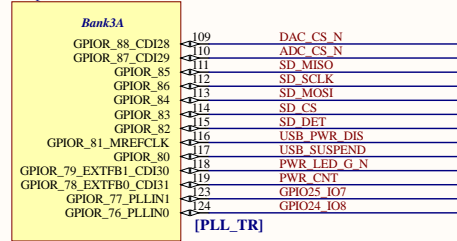


| | | |
|--|---------------|-------------|
| Title: PrimroseSoC [FPGA Power and Config] | | Size: A3 |
| Cannot open file D:\nextcloud\RIGHTxLIG\HT\develop\hardware\Altium\primrose_soc\primrose_soc.pcbproj | Number: | Revision: A |
| Date: 2023/05/23 | Sheet: 5 of 6 | |

U1B
T20Q144C3/C4



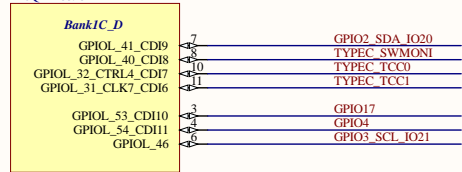
U1E
T20Q144C3/C4



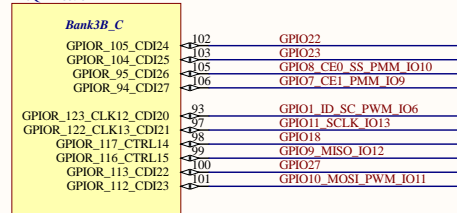
U1J
T20Q144C3/C4



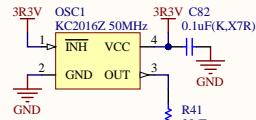
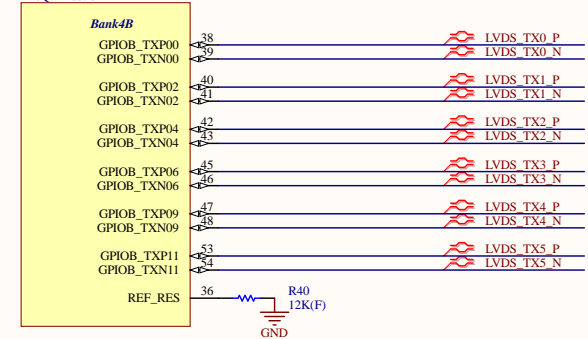
U1C
T20Q144C3/C4



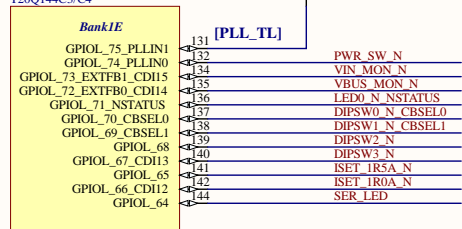
U1F
T20Q144C3/C4



U1J
T20Q144C3/C4



U1D
T20Q144C3/C4



U1G
T20Q144C3/C4

